



# Globe PolyPlast Pvt. Ltd.

...Expanding Globally

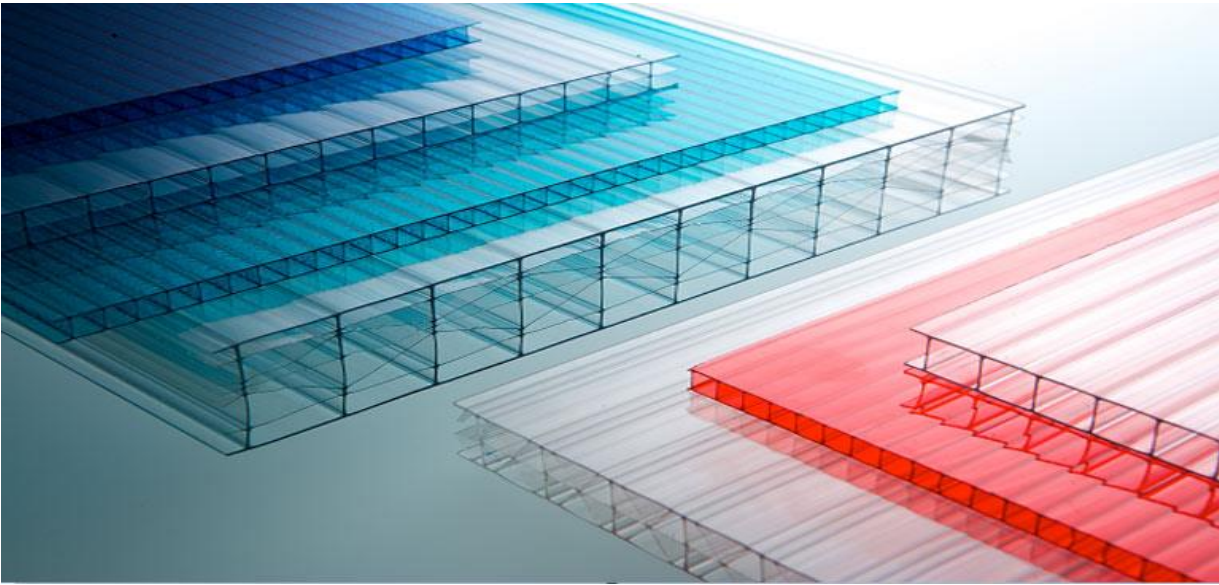
We would like to introduce our company **GLOBE POLYPLAST PVT.LTD.** that has been in manufacturing and trading of all kind of plastic sheets since 2004 and in the last three years we have been producing **Polycarbonate Solid sheets** products and all its variants.

We have been an established and customer centric company with an excellent track record for the best customer satisfaction. We have never compromised on the quality and the services provided to the customer. We believe in empowering our customers by providing them unmatched quality products at a very competitive price. We have hard working and passionate staffs who will guide you with their best ideas by keeping in constant touch with your company and informing about the market trends.

You can keep in touch with us about any of your business related requirements/queries. Please note that we are also specialize in **PP Sheets, Polystyrene Sheets, Extruded Acrylic Sheet,** and services for Promoting activities in the presently market trends.

We enclosed some products image & details for you, so that you will clearly know what the products we manufacture in our company:

## 1. Hollow/ Multiwall Sheets

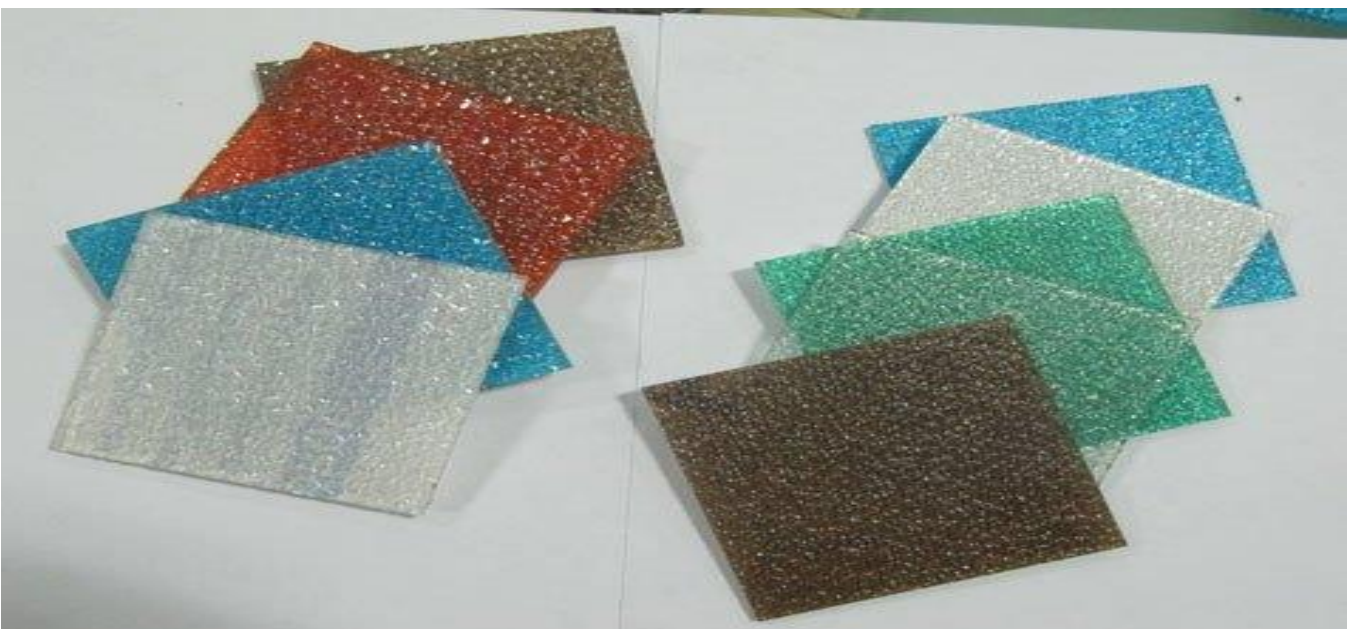


Insulation against heat and cold, and temperature resistance between  $-40^{\circ}\text{C}$  and  $+130^{\circ}\text{C}$ , are the two most important characteristics of these sheets. In addition, they have excellent light transmission up to 88% and UV protection, polycarbonate sheets are widely applicable to many products in roofing of railway stations, green house, foot over-bridges, walkways, swimming pool, malls, and airports etc. Cladding and glazing are other areas where these sheets are being widely used.

### Application:

Industrial glazing,  
Sky lighting and acoustic barrier  
Natural lighting for operational areas in airport, Ports, railways and bus shelters  
Green houses, stadiums roof glazing etc.  
Digital advertising screens and glow sign boards.

## 2. Polycarbonate Embossed Sheets



Polycarbonate Embossed Sheet has several features with high impact resistance, light weight, can be easy cold bend processed and hot molding. Hence, it can be widely used in construction and decorations.

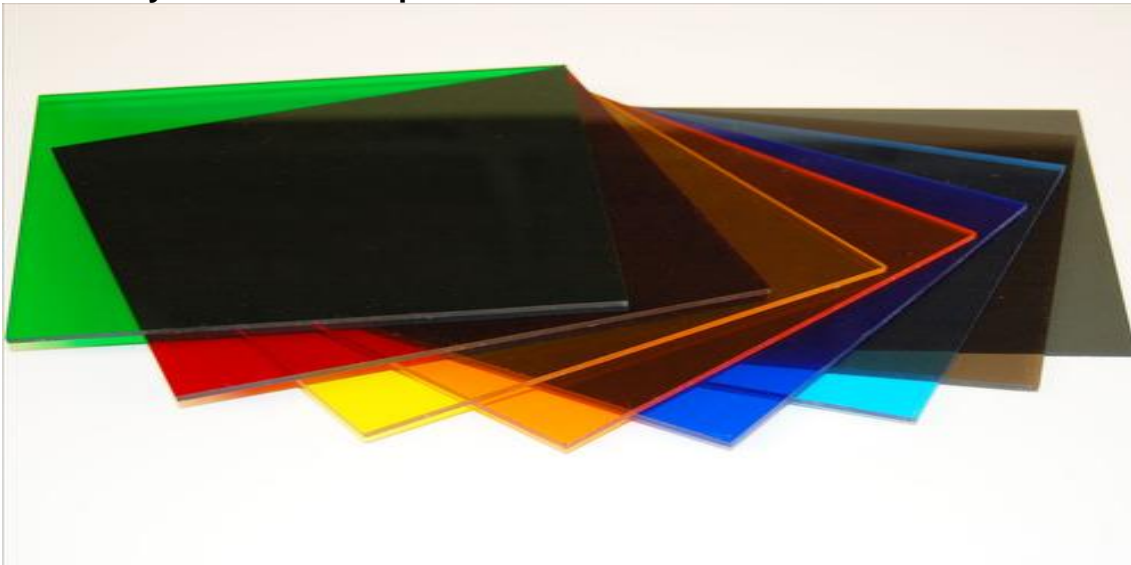
Our wide range of high quality polycarbonate embossed rolls and sheets can be used in various ways and for various applications such as for veranda glazing, safety or vandalized areas indoor/outdoor signs or instrument panels. They are exceptional impact strength and virtually unbreakable. Further, they are UV resistance, self-extinguishable and light transmittance.

Such rolls and sheets come with tiny embossed patterns on one side. Such design not just enhances the look of the polycarbonate rolls and sheets but also enhances its firmness and anti-static function. Besides, they add special effect to the sheet.

#### Application:

Industrial glazing  
Sky lighting and acoustic barrier  
Natural lighting for operational areas in airport, Ports, railways and bus shelters  
Green houses, stadiums roof glazing etc.  
Digital advertising screens and glow sign boards.

### **3. Polycarbonate Compact Sheets**



**PC Compact Sheets as well as PC Rolls** have high impact strength and are also high temperature resistant. Both have special co-extruded ultra violet (UV) protection. Virtually unbreakable, and yet as transparent as glass with less than half its weight, Compact Sheets are easy to fabricate as well as to install. Known for their excellent insulation properties, these sheets are suitable for cutting, drilling, bending and thermoforming as well.

#### Application:

Industrial glazing  
Sky lighting and acoustic barrier  
Natural lighting for operational areas in airport, Ports, railways and bus shelters  
Green houses, stadiums roof glazing etc.  
Digital advertising screens and glow sign boards



#### 4. Polycarbonate Diamond Sheets



Because of exceptionally high impact strength and light weight, **Polycarbonate Embossed/ Diamond Sheets** can easily withstand cold bend process and hot molding, virtually unbreakable, they are UV resistant, self-extinguishable and light transmitting, these rolls and sheets come with embossed patterns.

We use polycarbonate resin imported from world famous brands like GE SABIC & BAYER to insure the quality of our products.

Available in various colors these sheets carry a 10 years limited warranty.

#### Application:

Industrial glazing

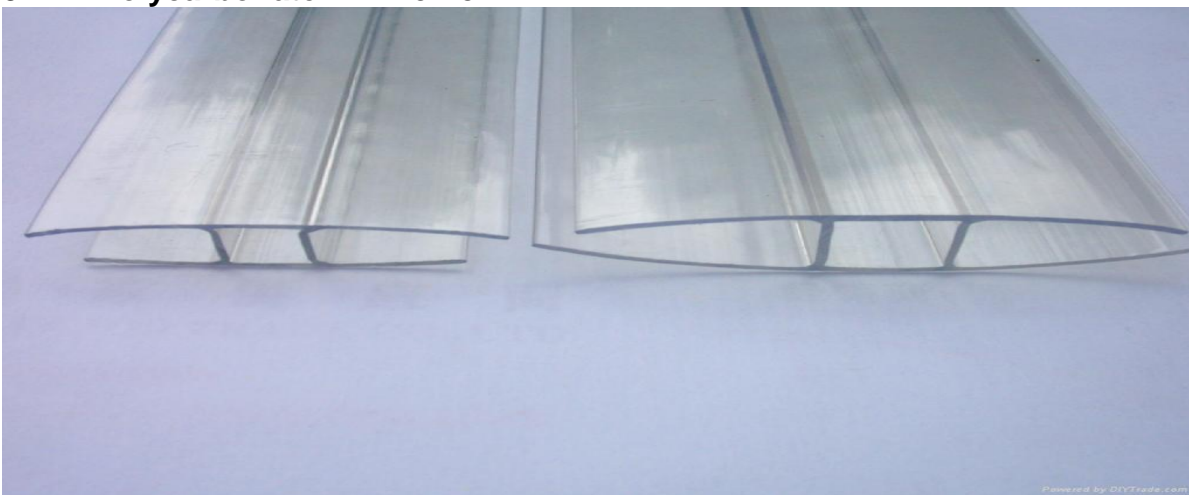
Sky lighting and acoustic barrier

Natural lighting for operational areas in airport, Ports, railways and bus shelters

Green houses, stadiums roof glazing etc.

Digital advertising screens and glow sign boards.

#### 5. Polycarbonate 'H' Profile



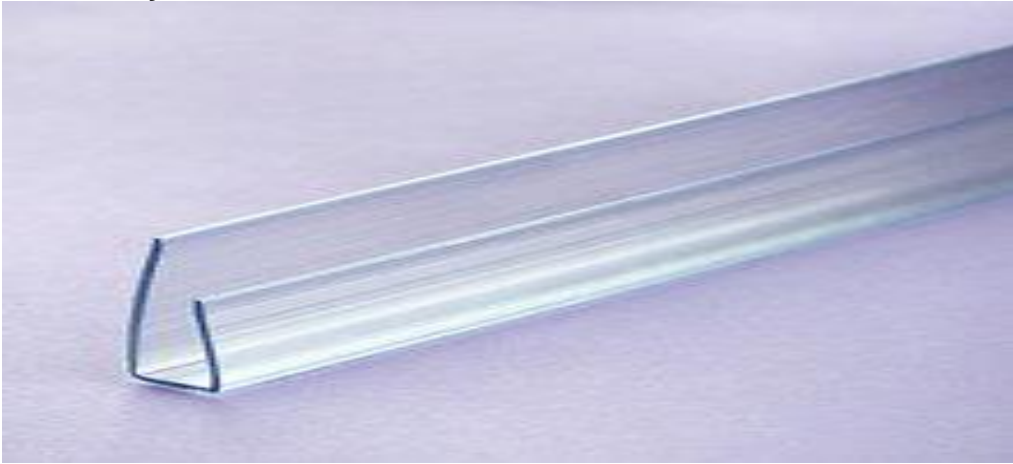
Polycarbonate Profiles used as connectors between pc sheets and edge sealing. It not only makes the installation fast and convenience, but also can effectively prevent the sheet broken when make

holes in the sheet. Using the PC connectors also can make the waterproof dealing more simple and easier.

### Features:

Light weight  
Keep consistent with the PC sheet in physical performance  
Good waterproof performance  
Good weather resistance and UV protection  
Simply installed

### **6. Polycarbonate 'U' Profile**



**U Lock** Polycarbonate profile is designed to seal the edge of the polycarbonate sheets. Applied after the solid/vented aluminum tape it close the edge to prevent dust, water and bug get access to the hollow space. It also provides a clear finish to the edge of the sheet. The profile can be easily cut. In order to prevent dust and dirt penetrating inside the ribs, the exposed top and bottom ends (the width side of a sheet) must always be sealed first with the solid aluminum tape on the top and vent tape at the bottom.

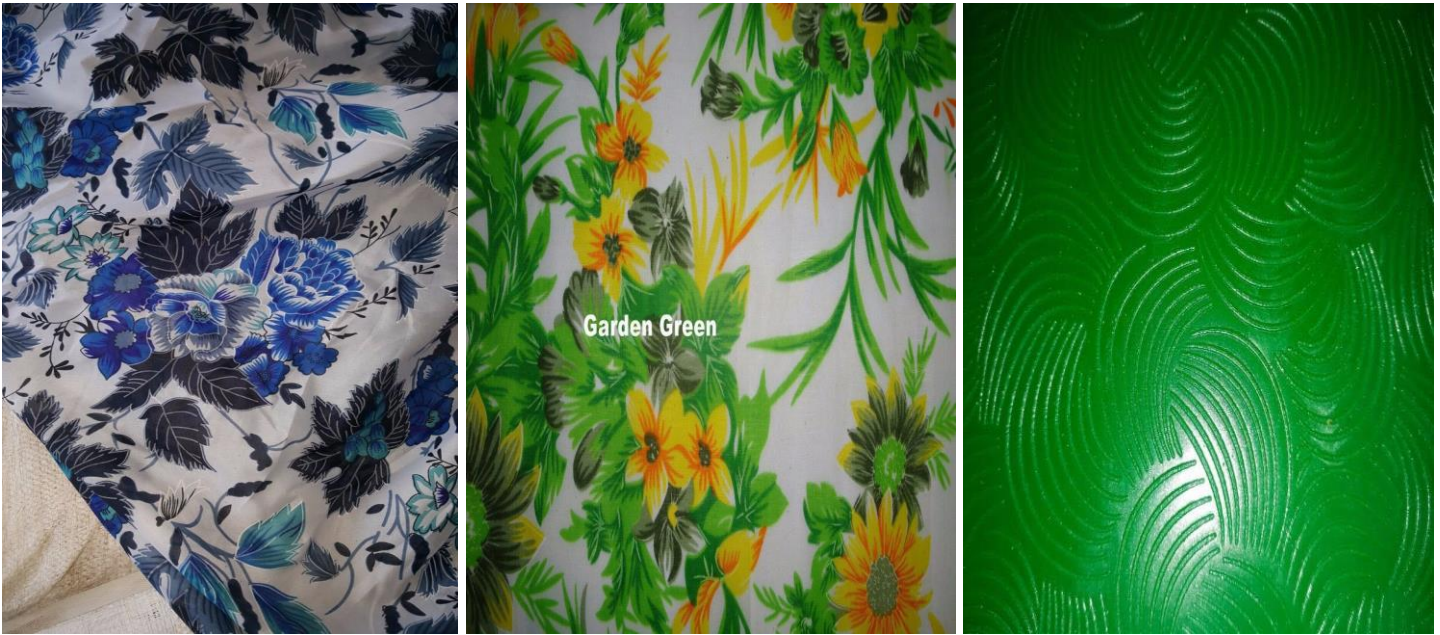
### Design:

Standard Colors – Clear, Bronze, Green & Blue  
Standard Thickness – 4/6, 8/10.  
Standard Weight (gm.) – 50, 60.

### Features:

Light weight  
Keep consistent with the PC sheet in physical performance  
Good waterproof performance  
Good weather resistance and UV protection  
Simply installed

## 7. Polypropylene Sheet:



PP sheet is a Universal Versatile Material, excellent print surface, which can be directly fed into Printing. This PP sheets are generally used in Garment/Packing Product/Rack Tags, Packaging Boxes, Gift/Promotional Products, Vacuum Forming, Food container, Small canopy, Gate covering and many more. PP material is durable, impact resistant and weather resistant.

The density of PP is between 0.895 and 0.92 g/cm<sup>3</sup>. Therefore, PP is the commodity plastic with the lowest density.

Polypropylene is normally tough and flexible. Polypropylene has good resistance.

### Optical properties:

PP can be made translucent when uncolored but is not as readily made transparent as polystyrene, acrylic, or certain other plastics. It is often opaque or colored using pigments.

### Applications:

- Residential Parking Awning
- Grill Gate Covering
- Boundary wall covering
- Door ceiling
- Industrial Insulation



## 8. Polycarbonate Base Plate



- Virtually unbreakable
- Can be designed in any shape
- Resistant to UV radiations
- Temperature Resistant
- Minimal thermal expansion & contraction
- Excellent light transmission property
- Fire retardant and leak proof
- Available in different diameters
- Zero maintenance and Easy to install
- Can be produced with matching profile of metal sheet
- Available in transparent, textured and translucent sheets

## 9. Turbo Ventilator Fan



Wind vents are used for extract of hot air, humidity & stale air. Vents allow fresh air /cool air in to the shed so that it makes more comfort for workers & reduce exertion. In case of fire it extracts smoke & fumes so it prevents suffocation from shed. No electricity is required for operation .Vents reduce temperature more than 3-5°C so the other machines can perform with higher efficiency. Maintenance

free with No noise with dynamically balanced. It comes with double folded fins and double exhaust system which makes it move faster than other traditional aluminum made ventilators. It is Light in Weight so that easy to install. Vents are completely weather proof, rain proof & storm proof. Naturally light comes through FRP venture dome. It can be installed with FRP base, SS base & polycarbonate base.

## 10. Hex Washer Head Self-Drilling Screw



This product is basically used for medium duty purpose, roof deck to steel framing and also as an accessory to steel framing. Our offered product is manufactured by employing technically advanced machine and quality assured raw material. This product is made available as per the application requirements of the clients in different sizes and specifications. Furthermore, our clients can purchase this **Hex Washer Head** from us at market leading prices.

### Features:

- Very well electroplated
- Heat treatment at required temperature
- Engineered with regards to threading, pinch point head and hardness
- Strong and sturdiness construction

### Design:

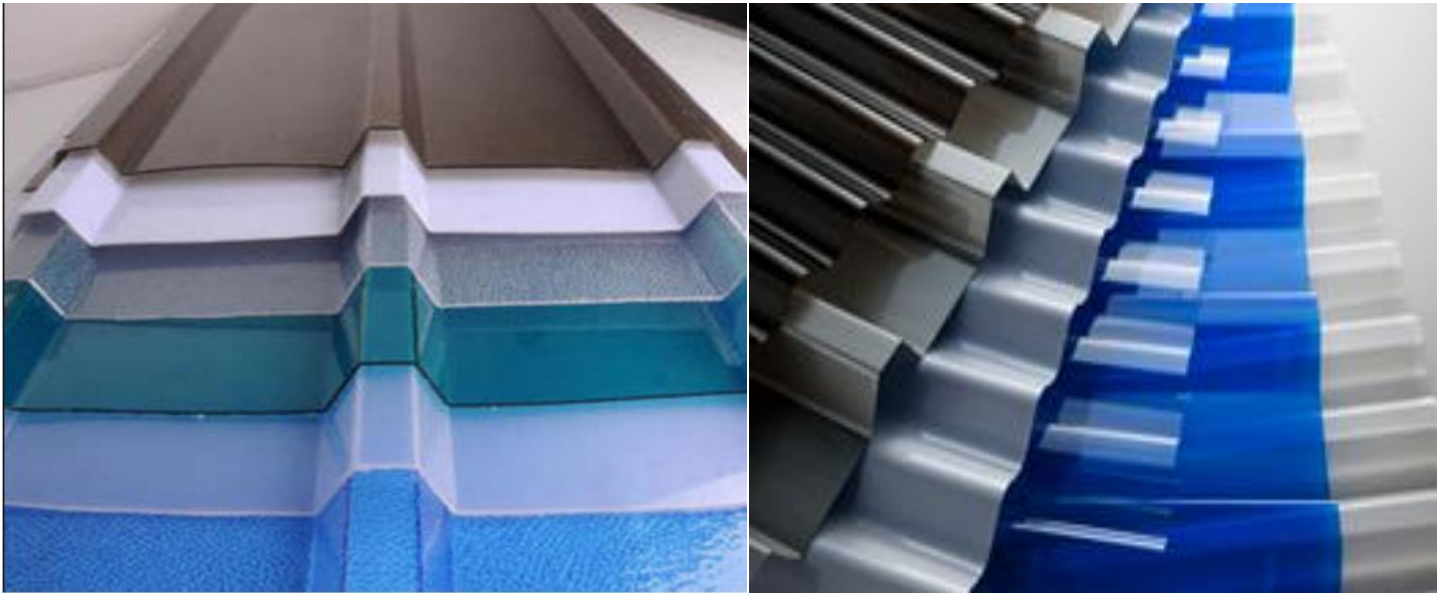
- 14 TPI
- Drill capacity up to 12 mm
- Available in 19 – 135 mm
- Hex washer head type
- With EPDM washer

### Application:

- Metal roofing sheets
- Metal wall cladding sheets
- Fibre cement boards
- Polycarbonate roofing sheets
- PVC and fibre roofing sheets
- Gypsum boards false ceiling
- M.S. & Aluminum framing and paneling



## 11. Polycarbonate Profile Sheet



One of the most effective ways to ensure a sufficient supply of natural daylight inside the building is to design the roofing translucent lines. Natural light in buildings ensures not only energy savings, but studies show that it has a health and concentration-enhancing effect. It improves the working climate and is positive to the health of the workers.

These translucent roof panels can be designed for roofs with a minimum slope of 6°. PC and PC Double Skin offer excellent insulation properties ( $U = 2.0$  to  $1.09 \text{ W / m}^2\text{K}$ ), high UV resistance and effective light transmission (36-65%), depending on the thickness of the polycarbonate plate.

- Good light transmission
- Excellent thermal insulation properties
- High UV resistance
- Standard lengths of 1-8 m
- Same profile of the top plate as for the RW panel
- 100% recyclable
- Modular width 1000 mm

## 12. FRP Chajja

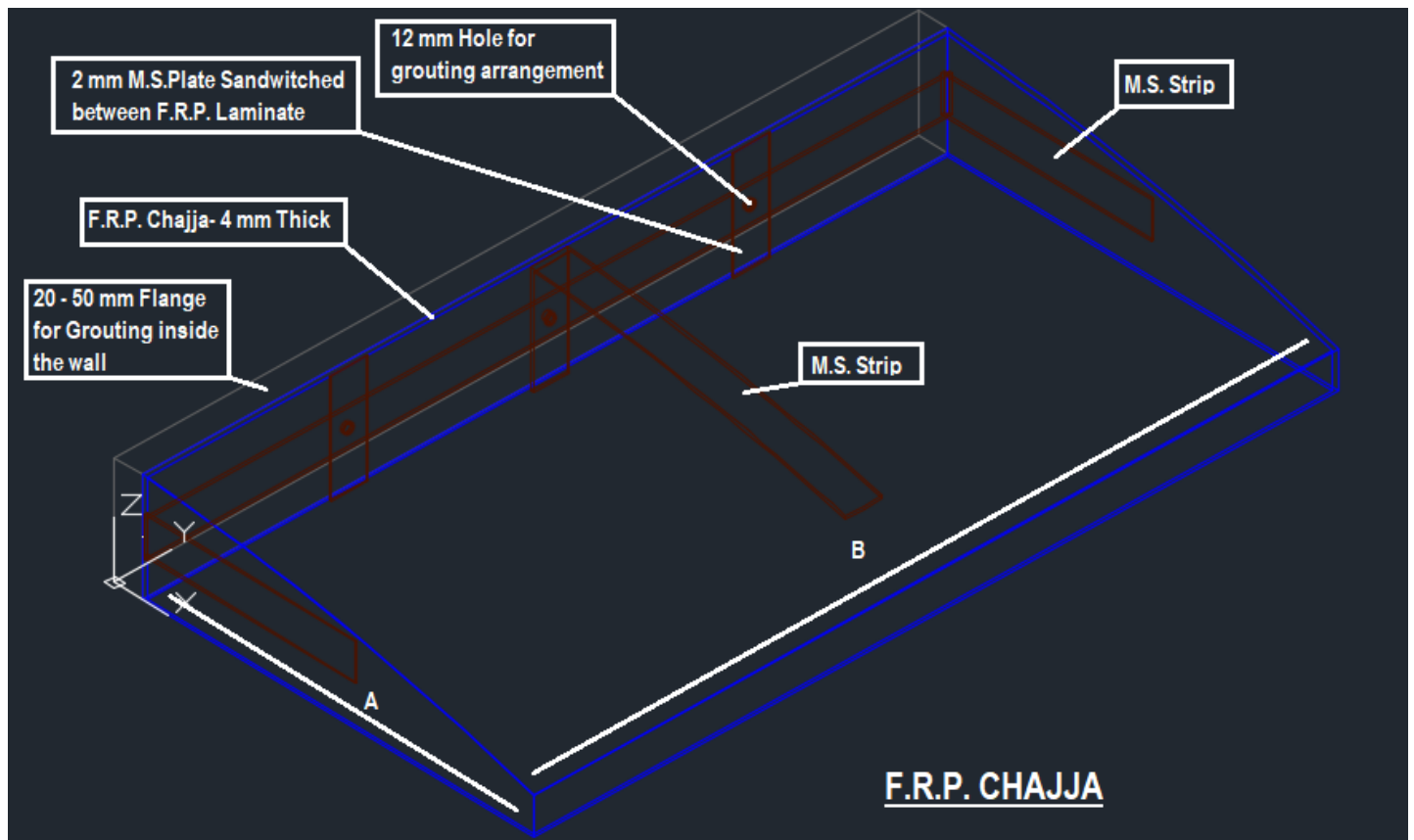
### Nomenclature

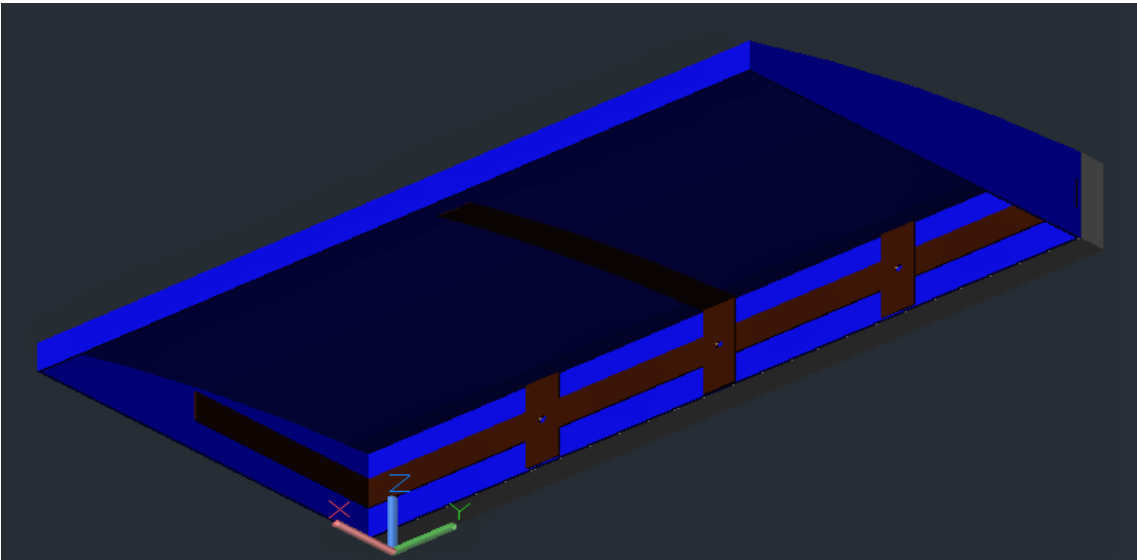
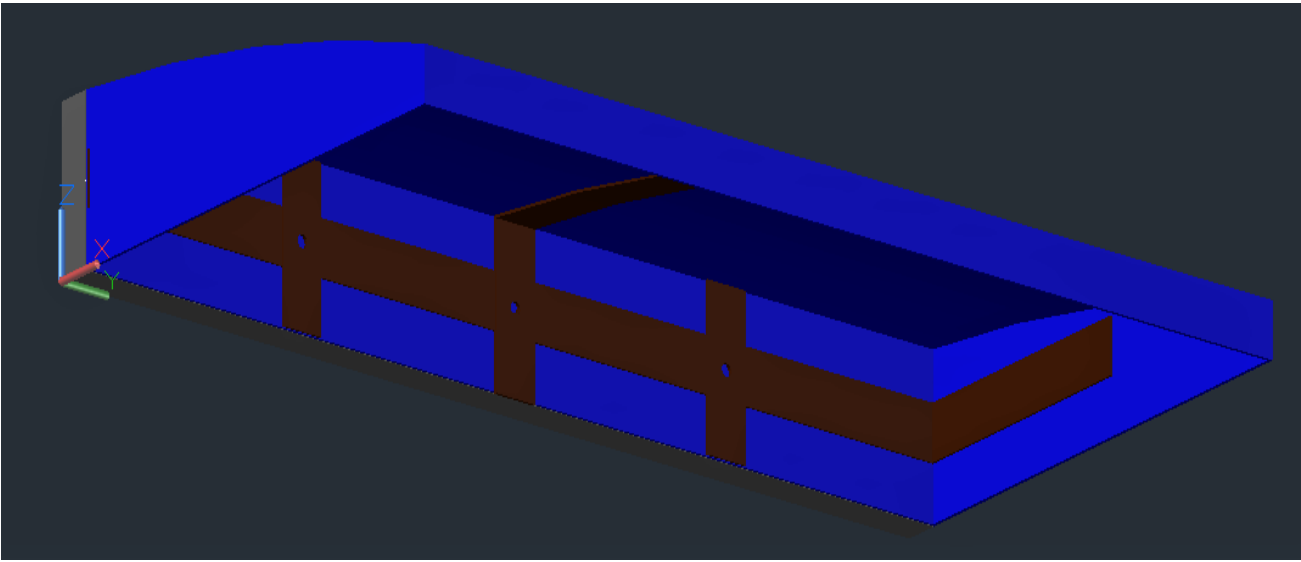
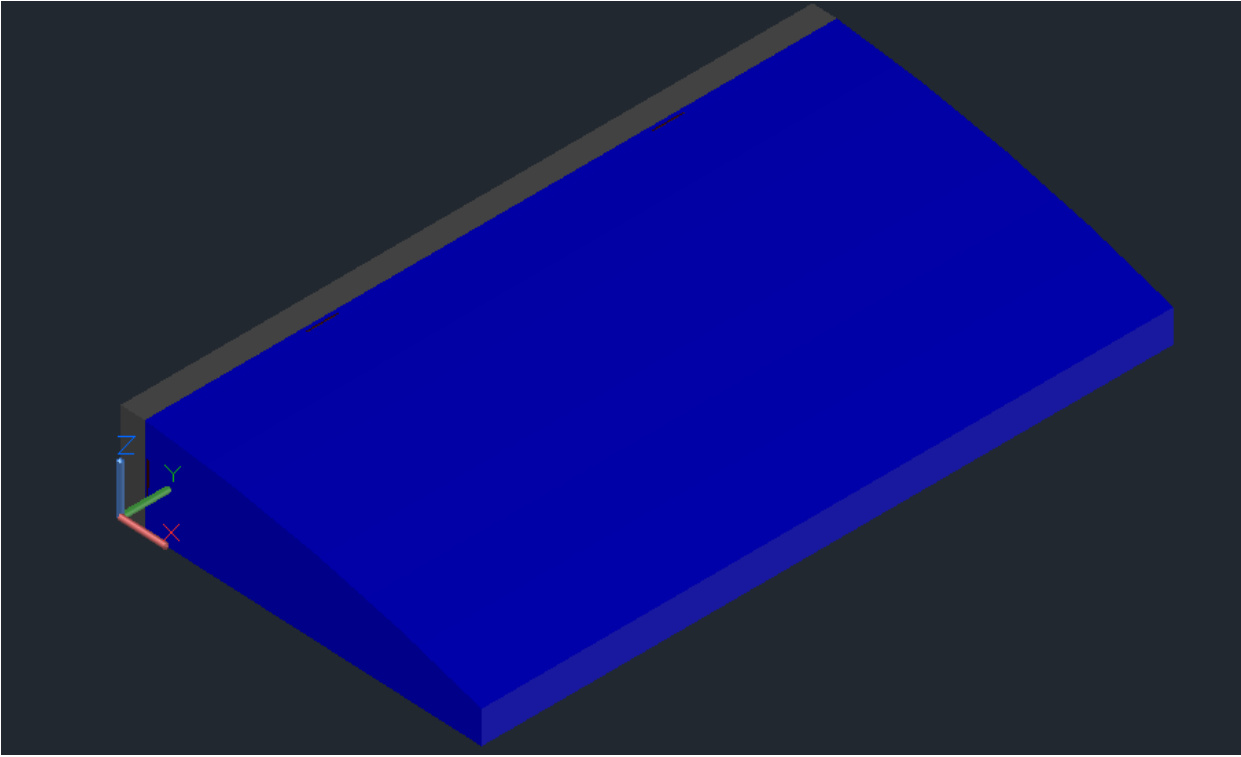
Providing & fixing of "Translite" brand and ISO-9001 Certified Company, factory made Fiberglass Reinforced plastics (FRP) "CHAJJA"- 4mm thick of required color, size and design made by Resin Transfer Moldings (RTM) Machine Technology, resulting in void free compact laminate in single piece, having smooth gradual slope curvature for easy drainage of water and duly reinforced by 2nos. vertically and 1nos. horizontally 50 x 2 mm thick M.S. Flat with 12 mm in built hole for grouting on the existing wall along with the 50 mm flanges duly inserted and sealed in the wall complete in one single piece casted monolithically including all necessary fittings. The FRP Chajja should be manufactured using unsaturated Polyester resin as per IS:6746 duly reinforced with fiberglass chopped stand mat (CSM) as per IS: 11551 complete with protective Gelcoat U/V coating on Top for complete resistance from the extreme of temperature, weather & sunlight.

## Material for Construction and Details

1. Process of manufacturing: - RTM Machine moulding technology – FRP Chajja to be made in one single pc. With no joints. (Monolithic casting).
2. Gelcoat with desired pigment for outer coating. (U/V Stabilized)
3. Unsaturated polyester resin as per IS-6746.
4. Glass fibre reinforcement – Chopped Strand Mat (CSM) as per IS – 11551.
5. The Glass fibre roving used shall be as per IS – 11320.
6. Curing Agents – MEKP & Cobalt Napthalate.
7. Permissible fillers are French chalk powder and shall not exceed 10% by weight of unsaturated poly ester resin.
8. 2 mm M.S. Plate reinforcement on the backside of the FRP Chajja to be inserted between the layers of FRP Laminate.
9. Flange arrangement to be provided in the FRP Chajja for grouting inside the existing wall to make it water proof.
10. Both side smooth glossy finishes.
11. Tolerance of  $\pm 10$  mm in overall size of FRP Chajja.
12. Thickness of FRP Chajja to be 4.0 mm.

## FRP CHAJJA DRAWING







Description	DSR Code	SOR Code
<p><b>FRP CHAJJA:</b> Providing of factory made Fiberglass Reinforced Plastics (FRP) "CHAJJA"- 4mm thick of required colour, size and design made by Resin Transfer Moulding (RTM) Machine Technology, Resulting in void free compact laminate in single piece, having smooth gradual slope curvature for easy drainage of water and duly reinforced by 2 nos. vertically and 1 nos. horizontally 50 x 2 mm thick M.S. Flat with 12 mm in built hole for grouting on the existing wall along with the 50 mm flanges duly inserted and sealed in the wall complete in one single piece casted monolithically including all necessary fittings. The FRP Chajja should be manufactured using unsaturated Polyester resin as per IS: 6746 duly reinforced with fiberglass chopped strand mat (CSM) as per IS: 11551 complete with protective Gelcoat U/V Coating on Top for complete resistance from the extreme of temperature, weather &amp; sunlight.</p>	9.128	8713

Thank You for spending you valuable time to read this.

We would like to offer our service to your company. Our representative will contact you for further discussion at a time convenient to you.

We look forward to a wonderful relationship together and success for all concerned.

Sincerely,

GLOBE POLYPLAST PVT.LTD.  
PLOT NO – 66, SECTOR – 16,  
HSIIDC,BAHADURGARH, JHAJJAR,  
HARYANA- 124507.

BANK DETAILS:

YES BANK LTD  
A/c. NO. - 013764400002012  
BRANCH & IFS CODE: BAHADURGARH & YESB0000137

E-MAIL: [info@globepolyplasrt.com](mailto:info@globepolyplasrt.com)  
WEBSITE: [www.globepolyplast.com](http://www.globepolyplast.com)